



Datasheet

AFO 07

Hexagonal stainless steel drinking fountain with bottle filling station and foldable bowl for dogs

The **AFO 07** is a modern hexagonal stainless steel drinking fountain equipped with three independent systems:

- Water dispenser for direct drinking from the upper spout
- Cup (bottle) filling
- Water dispenser for dogs with a foldable bowl

Each system is operated by a separate button, which starts the water flow from the corresponding spout when pressed.

When the button for upper drinking is pressed, water flows from the spout located at the top of the fountain. Pressing the button for bottle filling causes water to flow from the spout in the bottle filling area. The fountain is standardly made with an opening for filling 1.5-liter bottles. The third button activates water flow from the spout into the lower bowl for dogs. The bowl fills with water for easy drinking, and after use, the remaining water can be drained by tilting the bowl.

Water supply is connected via a flexible hose, and the drainage is handled by a flexible coupling. The flexible design of both the water supply and drainage allows for easy installation, connection, and removal of the fountain.

The dog bowl is foldable, and any unused water is drained.

The AFO 07 fountain is made of stainless steel grade AISI 304. Upon request, it can also be made from AISI 316, which is suitable for environments with higher chlorine concentration.

The AFO 07 is available in two control variants:

- Operated by push valves (no electricity required)
- Operated by anti-vandal buttons (increased resistance to vandalism, requires electrical power)





AFO 07 VT with push valves – water is dispensed by pressing the valve, and it flows for the duration of the valve press plus a set time afterward, allowing the spout to be rinsed.

AFO 07 with anti-vandal button – water is dispensed by pressing a button that activates a solenoid valve hidden inside the fountain body. Water flows for a set period. After the water stops, pressing the button again will restart the water flow.

For stainless steel maintenance, we recommend Würth products:

- Preservation (order no. 0893 121 K)
- Cleaning (order no. 893 121 1)
For cleaning chrome parts, we recommend Larrin cleaner.

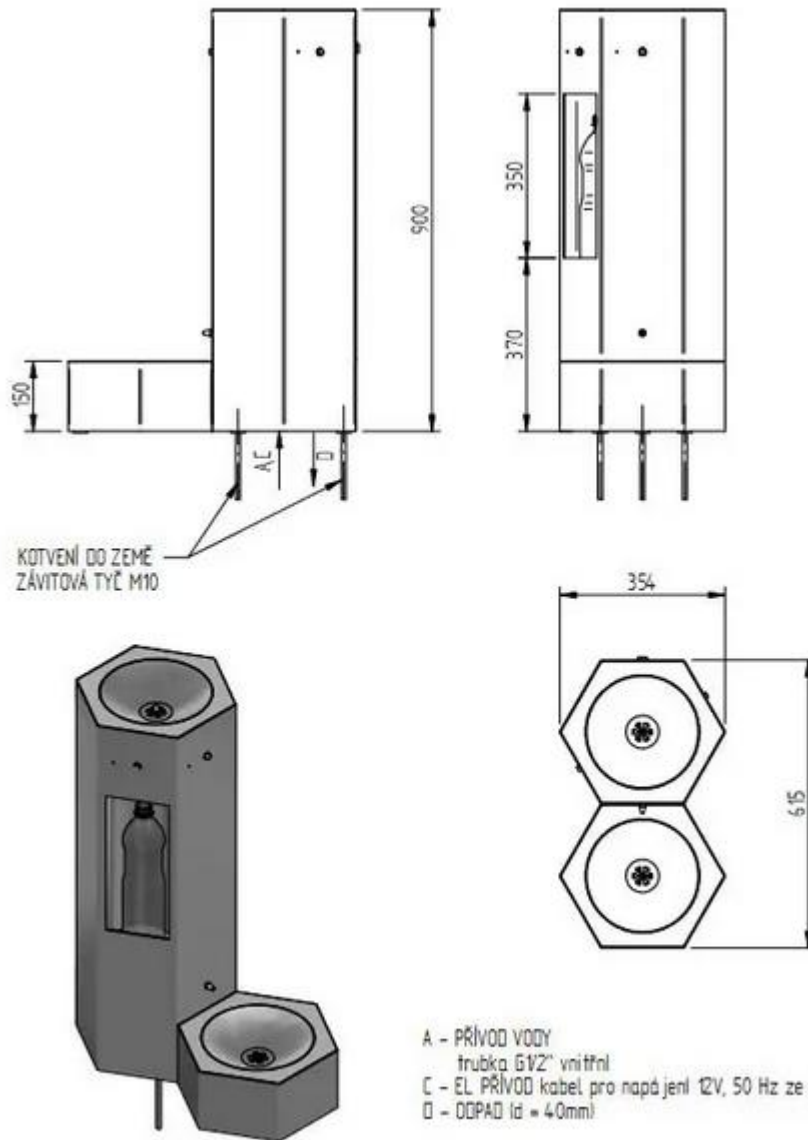
Complete package includes:

- Stainless steel drinking fountain
- Supply hose with ball valve
- Drain with odor trap
- Mounting hardware



Diagram

AFO 07





AFO 07 VT

