



## Installation and operating manual

### AFO 07 - hexagonal stainless steel drinking fountain with bottle filler

#### Basic technical data

|                      |                        |
|----------------------|------------------------|
| Water Supply:        | G1/2" internal thread  |
| Water pressure:      | 0,1 – 0,6 MPa          |
| Drain:               | pipe d = 40 mm         |
| Internal bowl size:  | 245 mm                 |
| Maximum bottle size: | 1,5 l                  |
| Weight:              | 19 kg                  |
| Product website:     | <a href="#">AFO 07</a> |



#### Drinking Fountain Description

- The stainless steel drinking fountain has a modern design with simple operation featuring a push valve. Water for drinking, filling bottles, and the bowl flows as long as the valve is pressed.
- The water supply is connected through a flexible hose and finished with an angle valve. The siphon is made of a flexible coupling.
- The flexible design of both the water supply and the drain allows for adjustable heights for the water inlet and drain.
- The drinking fountain is designed to be floor-mounted in open spaces.

#### Installation

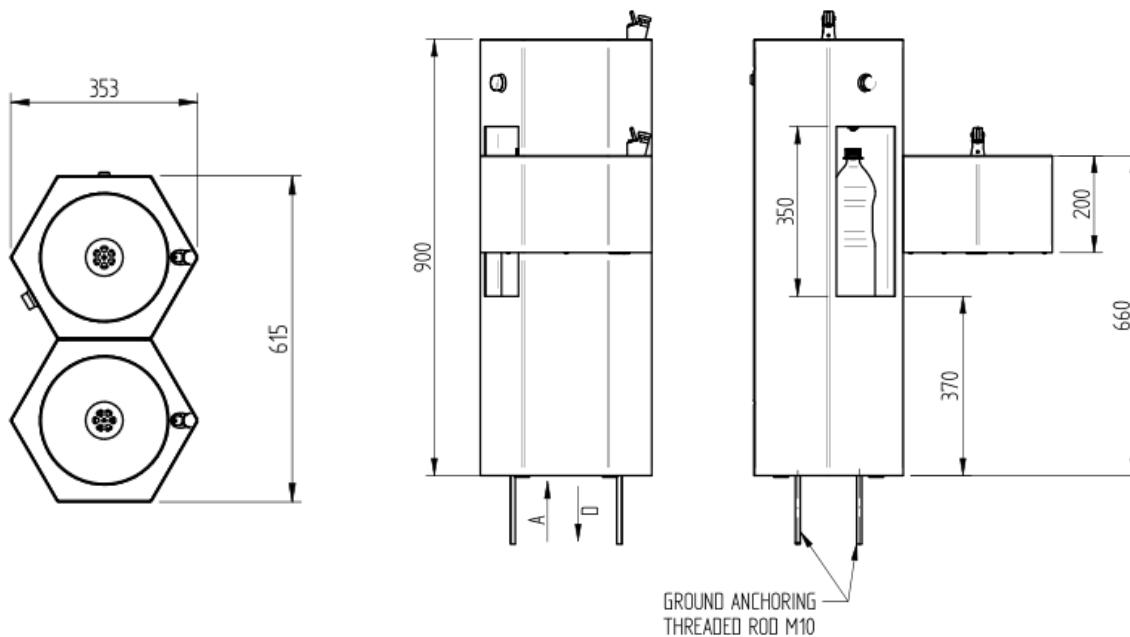
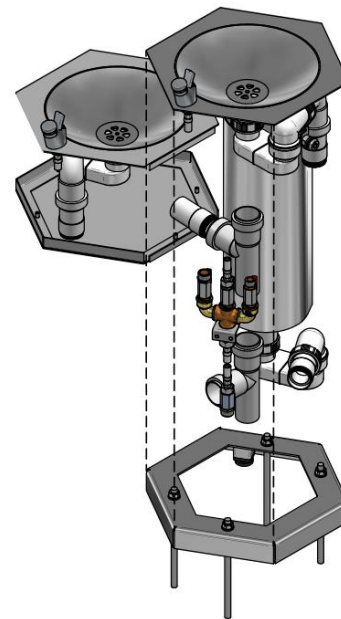
##### Site preparation for instalation

1. A concrete slab prepared to allow the installation of threaded rods using chemical anchors
2. Water distribution is completed with a ½" female thread. The water supply must be located in the high part of the drinking fountain at least 50 mm from the edge. The length of the supply pipe must be 0 to 100 mm above the floor. The water supply must be fitted with a fine mesh filter (100 microns) to remove mechanical impurities from the water, which will greatly increase the reliability of the push valve. Damage to the mechanism due to the ingress of impurities is not covered by the warranty.
3. Prepared waste terminated with a d 40 mm neck at ground level placed approximately in the middle of the high part of the drinking fountain.



## Installation

1. Mark the 4 anchor points, drill holes in the base plate and glue the threaded rods into them. The free end of the threaded rod must be at least 65mm above the ground..
2. Unscrew the adjusting legs so that the strainer is vertical.
3. Place the drinking fountain on the threaded rods and tighten it with the nuts and washers supplied with the fountain.
4. Connect the water supply with a flexible hose.
5. Adjust the water flow rate for filling the bottle. The flow rate is adjusted by the ball valve, the flow time is not adjustable, the water flows as long as the valve is pressed.



A – water inlet pipe internal G1/2"

D – drain (d = 40 mm)



### Complete delivery

- Stainless steel casing
- Water outlet nozzle
- Inlet ball valve
- Drain trap with flexible hose
- Threaded rod, washer, nut

### **Note**

**If the drinking fountain is placed outside, it is necessary to drain the water from the drinking fountain before the winter season (water can not remain in the valve - blow out with pressurized air) or the entire drinking fountain has to be disassembled and stored in a frost-free building. If the water in the pressure valve freezes, it will be irreparably damaged.**

### Cleaning and maintenance

- Product is made of stainless steel of quality according to ČSN 17 240 (AISI 304), therefore it must not be operated in chemically aggressive environment.
- **!! Products containing chlorine must not be used to clean it !!**
- Recommended WÜRTH products:
  - Metal restorer -obj.č.#893 121 1
  - Stainless Steel Treatment Spray - obj.č.#0893 121 K.
- No other method of cleaning and installing the product is permitted.