



Installation and operating instructions

AFO 04 – Stainless steel drinking fountain

Basic technical information

Water inlet	Pipe 1/2" inner screw
Water pressure	0,1 – 1 MPa
Outlet	d = 40 mm
Inner dimension of the fountain	D = 245 mm
Dimensions	400 x 280 x 340 mm
Weight	5 kg
Weblink	AFO 04

Description of the drinking fountain

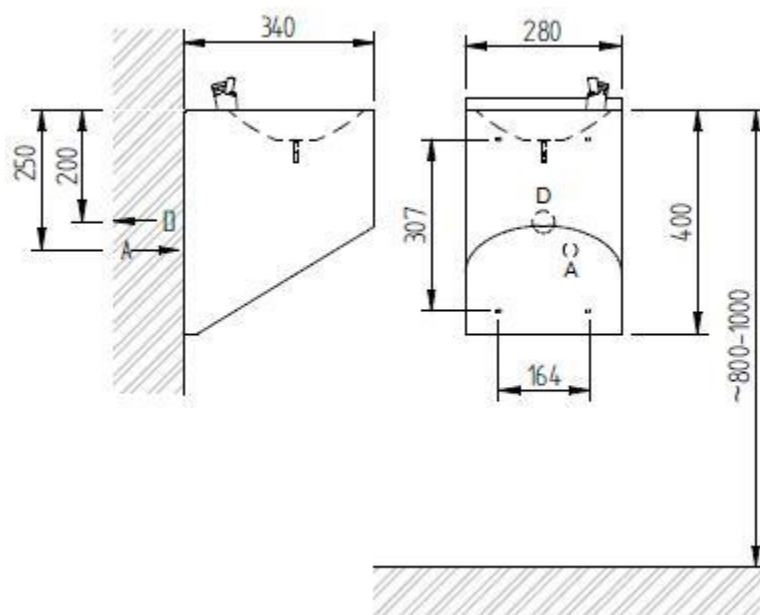
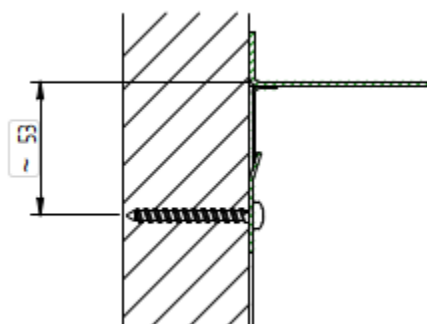
- The AFO 04 is a stainless steel covered drinking fountain of modern design, which simple to operate - the drinking fountain has a pressure valve and the water flows for as long as it is depressed. The water supply is via Flexi-hose and terminates in a corner valve. The siphon is made of a flexible connection.
- The flexible design of the water supply and drainage makes possible the variable connection of the drinking fountain. The installation height of the drinking fountain can be selected according to the intended location – e.g. schools, etc.

Installation

Requirements for setting up the construction

1. Ready drinking water supply –Tr 1/2" according to the Figure.
2. Ready-made drain with neck d 40 for flexible connection.
3. Due to the flexible design of the water supply intake and drain of the drinking fountain, the connecting elevations in the figure are only recommended. The water supply and drain can be executed according to requirements, within the limits of the flexible intakes of the drinking fountain.

Scheme of hanging





Assembly of the drinking fountain

1. Remove the mounting frame from the drinking fountain – using an Allen key, you release the mounting frame by screwing the screws through the holes in the bottom cover of the drinking fountain and remove it.
2. Using screws and dowels, attach the mounting frame on the wall so that the fountain is at the desired height.
3. Fit the corner valve on the drinking water supply pipe and turn its outlet in such a way that the water supply hose is not broken. Flush the water supply pipe and possibly clean the filter of the corner valve. Connect the water supply hose. Check whether the hose does not break, or if it is not subjected to tensile stress.
4. Connect the flexible drain hose to the drain pipe.
5. Fit the drinking fountain on the mounting frame and fix it against the frame by screwing the screws in the bottom part.
6. Using the screw in the lower part of the outflow nozzle, adjust the water flow rate so that the water flow points approximately toward the centre of the bowl.

Package contents

- stainless steel casing
- press valve
- corner valve with filter
- fixing bar
- siphon
- connecting hose
- anchoring material

Note

- When installing the drinking fountain outdoors, it is necessary to disconnect the drinking fountain and drain the water from it before winter (the water must not remain even in the valve – blow it with compressed air), or remove the entire drinking fountain and store it in a place with non-frost temperature. If water freezes in the pressure valve, it will be damaged irreparably.

Maintenance and cleaning

- The device was made from the stainless steel of quality corresponding with ČSN 17 240 (AISI 304), with ČSN 17 346 (AISI 316 – AFO 04.CL) standard and, therefore, it must not be operated in chemically-aggressive environment and
- **Preparations containing chlorine must not be used for its cleaning!!**
- Cleaning agents by WÜRTH are recommended:
 - Metal renewal agent - Order No. 893 121 1
 - Stainless steel spray treatment - Order No. 0893 121 – K.
- **A filter** (sieve of 100 µm) must be used in water inlet to remove mechanical dirt off water! By this way push valve reliability be increased.
- **Latter claims because of internal mechanism damaging will not be accepted!**