



Instructions for installation and use

AFO 03 – Stainless steel drinking fountain, AISI 304 AFO 03.CL – AISI 316

BASIC TECHNICAL INFORMATION

Water inlet:	G 1/2"
Water pressure:	0,2 – 0,6 MPa – recommended 0,3 MPa
Outlet:	Pipe d = 40 mm
Inner dimensions of the sink:	d = 240 mm
Dimensions:	900 x 200 ÷ 300 mm
Weight:	10 kg
Weblink:	AFO 03/AFO 03.CL

Description

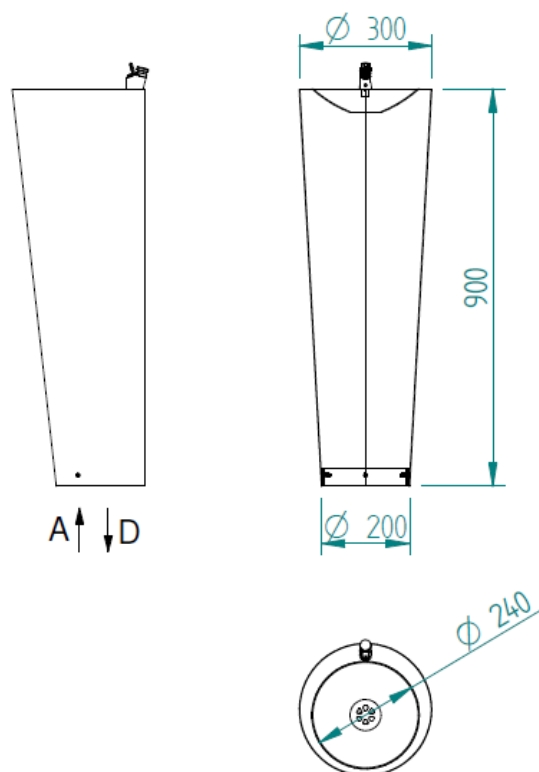
- AFO 03 (CL) is a drinking fountain with an attractive design and easy operation – fitted with push valve. The water flows only when the valve is pressed. Water supply is made with flexible hose finished with spherical valve. Flexible inlet and outlet connections enable variable fixing of fountain.

Requirements for setting up the construction

- Set-up water supply pipe G 1/2" and outlet d 40 – both at the ground level, or up to 10 cm above it. Axial distance between the water inlet and outlet must not exceed 70 mm.
- The water supply pipe must be fitted with a filter to remove impurities from the water, which increases significantly reliability of the push valve.

Assembly of the drinking fountain

- Remove the anchor flange – unscrew 3 screws in the bottom part of fountain
- Set this flange on prepared inlet and outlet, mark the anchor points in the floor – watch out for the correct orientation – drinking fountain is not symmetrical
- With suitable chemical mortar fix the attached threaded rods into drilled holes
- Connect the water supply flexible hose ended with spherical valve to water inlet
- Connect the outlet flexible hose to the drain pipe
- With spherical valve set the maximum water flow flowing through the valve – later, during operation it is possible to lower the water flow, using the screw located in lower part of the push valve (without removing the drinking fountain)
- Set up the fountain onto prepared anchor flange – do not bend or pinch the hoses





8. Fix the fountain to anchor flange

Package contents

- Stainless steel drinking fountain
- Press valve with nozzle
- Water supply hose with ball valve
- Outlet with waste trap
- Anchoring material

Note

- **When located outdoor, it is necessary to drain water from the fountain before the winter season. Blow out all the water (also from the push valve) using pressure air, or unscrew the fountain from the anchor flange and store it in the area with non-freezing temperature. Should the water freeze in the push valve, the valve is irreparably damaged.**

Maintenance and cleaning

- The device is made of stainless steel according to ČSN 17240 (AISI 304) and must not be installed in a chemically aggressive environment (AFO 03.CL – ČSN 17 346 – AISI 316).
- **!! Chlorine products must not be used to clean the product!!**
- Recommended WÜRTH cleaning products:
 - Metal restoration agent – Article No. 893 121 1
 - High-grade steel care spray – Article No0893 121 K.
- Any other method of cleaning/installing the system is not permitted.
- A filter (sieve of 100 µm) must be used in water inlet to remove mechanical dirt off water! By this way push valve reliability be increased. **Latter claims because of internal mechanism damaging will not be accepted!**