



INSTALLATION AND OPERATING MANUAL

AUP 2 – Automatic flushing system for one urinal

BASIC TECHNICAL INFORMATION

Radius of sensor :	adjusted automatically after connection to electricity supply
Power supply :	12 V, 50 Hz
Power requirement :	6 VA
Adjustable time of flushing :	1 – 20 s (manufacture adjustment to 5 s)
Water pressure :	0,1 – 1,0 MPa
Recommended source of power supply :	ZAC 1/20 (max. 3 x AUP 2) ZAC 1/50 (max. 8 x AUP 2)
Weblink:	AUP 2

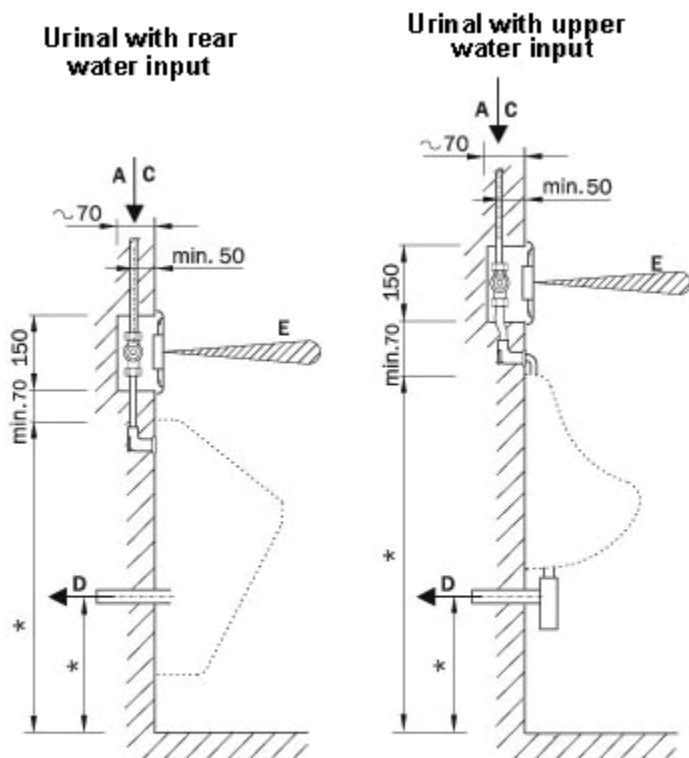
Function of the flushing system

- When entering scanning zone of the flushing system the electronics is activated, this is indicated by a pilot light placed in a window in casing of the flushing system. After leaving the scanning zone the pilot light switches off, electromagnetic valve is opened and system flushes.
- When entry to and departure from the scanning zone is shorter than 10 seconds, the electronics do not react and the electromagnetic valve is not opened. In this way it prevents needless flushing after accidental or momentary entry into the scanning zone (cleaning, passing by the urinal, etc.) The urinals can be mounted against each other without mutual interference.
- Zone of scanning is adjusted automatically after switching on the source of power supply. After 24 hours inactivity the urinal flushes itself.

Installation of the flushing system

Requirements for setting up the construction

1. A 150 x 150 x 70 mm alcove in the wall and in it an assembly box built up to the level of tiling, or up to 20 mm underneath. The box must not project beyond the tiling.
2. Set-up water supply and water inlet to assembly box (spherical valve must be set-up at inlet).
3. A filter must be set up in the water inlet to urinal or group of urinals for removing mechanical dirt together with a back-flow valve to prevent reverse priming.
4. Set-up cable CYKY 2A x 1,5 from source of power supply ZAC into assembly box.



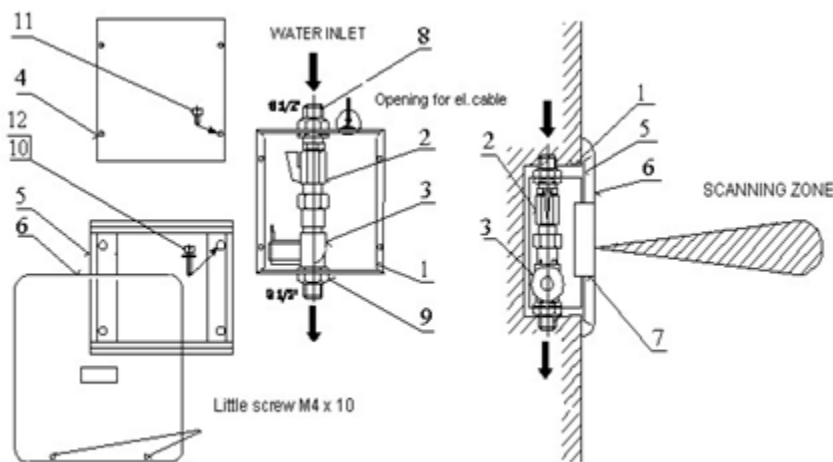
- A – WATER INLET
Inner pipe G1/2"
C – ELECTRICITY SUPPLY
Cable CYKY 2Ax1,5
D – OUTLET (as per siphon)
E – ZONE OF SCANNING



5. Assembly box covered with metal sheet.
6. Finished tiling and hanging ceramics of the urinal, including outlet.

Assembly

1. Dismount covering metal sheet of the assembly box.
2. By means of M4x40 screws and big pads fix mounting spacer tray, balance against tiling and other urinals and tighten screws properly.
3. Connect the electricity cable to the distribution frame of the box of electronics and connect wire connectors to the coil of the electromagnetic valve. Polarity does not matter.
4. Switch on power supply (source of power supply ZAC). A pilot light flushes 1 x after switching on, then urinal flushes itself and the pilot light starts blinking until the automatic setting up is finished – max. 10s. **The space in front of the photocell sensor must be free while adjusting – do not screen the sensor!** If an obstacle is in front of the urinal during setting-up, the small scanning zone will be adjusted after its removal (the scanning zone was automatically set-up to this obstacle). It is necessary to switch on and off the source of power supply – automatic adjustment of sensitivity is carried out.
5. Time of flushing is adjusted by manufacturer to 5 s. In case of necessity this setting can be changed by means of a remote control that is not part of the delivery and must be ordered separately. Setting the time of flushing can be carried out only within 20 min. of switching on the power supply! After setting up the time of flushing, urinal restart is carried out (and it returns to the same state as after switching on – refer to point 4).
6. According to the type of urinal, water flow is set-up by means of the spherical valve so as to optimize flushing.
7. Set the stainless casing to the upper part of the fixing frame, clip and fix by a gentle tightening of the small screws in the lower part with the imbus spanner supplied.



Notice

- Automatic flushing system AUP 2 can be connected only to source of power supply ZAC, in other cases the manufacturer does not take the responsibility for reliable functioning and responsibility for eventual damages arising from connection to other voltages.
- Electric connection can only be carried out by a qualified and competent worker. It is necessary to carry out an initial revision of electric equipment before starting operation.
- The user is obliged to carry out revisions of the electrical equipment during its operational life.
- The electronics react to transmitted rays reflected from an object. Dark colors absorb such rays more and therefore they can react in a worse way and the radius is reduced.



Explanation and delivery parts

1 – assembly box	1 pc	7 – box with electronics	1 pc
2 – spherical valve	1 pc	8 – inlet bolting (1/2")	1 pc
3 – electromagnetic valve	1 pc	9 – outlet bolting (1/2")	1 pc
4 – zinc-coated assembly sheet	1 pc	10 – screw M 4 x 40	4 pcs
5 – mounting spacer tray	1 pc	11 – screw M 4 x 12	2 pcs
6 – stainless casing	1 pc	12 – big pad d = 5	4 pcs

Possible failures and their solution

Failure	Cause	Solution
After switching on will not blink and will not flush	Failure in source of power supply – source is not connected or connected to other voltages, for example 230 V	Check power supply – after connection to 230V electronics are destroyed
After switching on will blink and won't flush	Jammed filter, electromagnetic valve is not connected	Clean the filter, connect valve
Small radius – does not scan a person standing in front of the urinal	An obstacle (person) was scanned in scanning zone while setting up	Switch off and on power supply, new setting is carried out
Electronics works properly, water flows constantly	Dirt in the filter of the valve	Clean the filter of the valve

Maintenance and cleaning

- The device was made from the stainless steel of quality corresponding with ČSN 17 240 (AISI 304) standard and, therefore, it must not be operated in chemically-aggressive environment and
- Preparations containing chlorine must not be used for its cleaning!!**
- Cleaning agents by WÜRTH are recommended:
 - Metal renewal agent - Order No. 893 121 1
 - Stainless steel spray treatment - Order No. 0893 121 – K.
- If corrosion has already occurred, it can be removed with a cleaner INNOSOFT B 570 from the company Emergo.

Valve cleaning

- Screw out three spins holding the coil. Remove the coil; carefully take out plastic covering of the core (be careful not to loose the spring). Remove the membrane, clean the space underneath. Check out the clearness of both in the plastic centre of the membrane piece the valve together. During return assembly of the valve into the urinal it is necessary to observe the direction of water flow – it is indicated by an arrow on the valve.