



Instructions for installation and use

BSZA 02.1, .TV - Shower token machine for wall installation

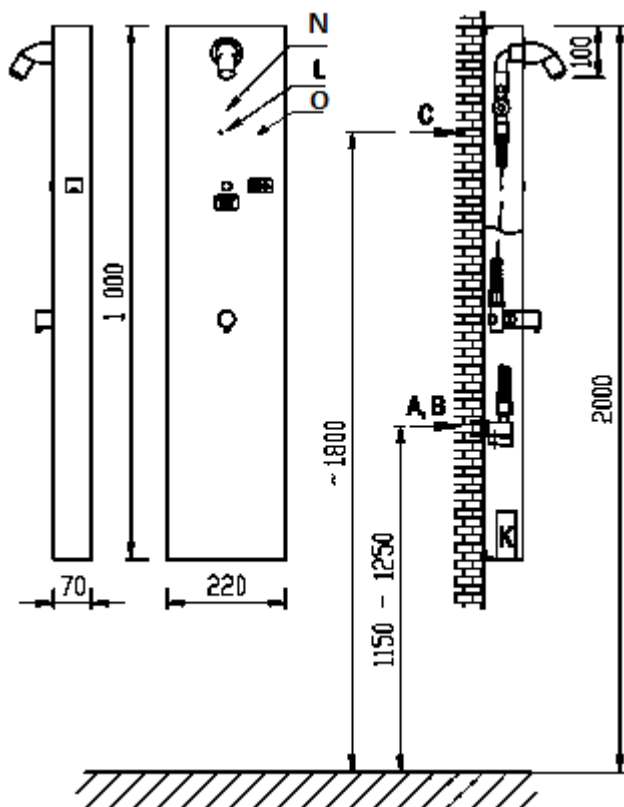
BASIC TECHNICAL DATA

Usable tokens:	ZT 1
Supply voltage:	12 V, 50 Hz
Input:	6 VA,
Adjustable time of the water flow:	10 s to 45 minutes; manufacturer's setting - 3 minutes
Adjustable pause time for non-paid traffic:	0 to 45 minutes; manufacturer's setting - 10 seconds

Water pressure:	0.1 – 1 MPa
Maximum inlet water temperature:	60°C
Link to website:	BSZA 02

Token machine function:

- The BSZA 02 token machine is used for regulated water abstraction in the shower. The operator can set the water flow time from 10 seconds to 45 minutes per token. When the power is switched on, the indicator light will flash red and after about 5 seconds it will turn green and stay green until the token is thrown in. The indicator will flash red for the duration of the token capture and then flashes green. The user can start and stop the water using the button on the front panel. Stopping the water has an effect on the total flow time -



only the time the water is flowing is measured. After about half of the set time, the indicator light starts flashing red and green alternately. Approximately 1 min before the water flow is stopped, the water flow will pulsate. After consuming the pre-set water flow time, the valve stops the water flow, the indicator light turns green and the machine is ready for a new cycle. If the user rolls a new token before the time expires, the remaining credit is lost and a new cycle is set. The temperature of the flowing water is set by the user using a thermostatic valve (.TV version). With the version .1 the water temperature is not adjusted - it depends only on the inlet water temperature.

- BSZA 02 can also work in unpaid mode. At the moment the button is pressed, the user is assigned the same amount of water as for the token. After the pre-set dose has been consumed, there is a pause period during which it is not possible to start the water by pressing the button. This time can be set to zero - so water flows whenever the button is pressed. If a token is rolled during the pause, the user is assigned a water dose.
- The machine is also equipped with an intelligent token scanner. In the event that an attempt is made to trick the machine, e.g. by attempting to retract the token (tied on a string), the machine will be disabled. (orange LED flashing). Restore standard operation by switching off and on the supply voltage.



Token machine installation

Construction readiness for installation

1. Prepared for water inlet with a 1/2" female thread.
2. Prepared for 12 V, 50 Hz power supply from the ZAC source. This supply must be made as four-core. If voltage is connected between the green and brown wires, the slot machine electronics operate in paid mode, but the machine cannot be unlocked. When the white and brown wires are connected, it is possible to unlock the token tray after applying the magnet - marked with "O" - and access to the mounting screws will also be enabled.
3. The load-bearing wall is ready - the tiles are finished. The provided mounting material is intended for walls with adequate load-bearing capacity (solid bricks, concrete). For other materials (gas-silicate), the corresponding anchoring material must be used.

Assembly

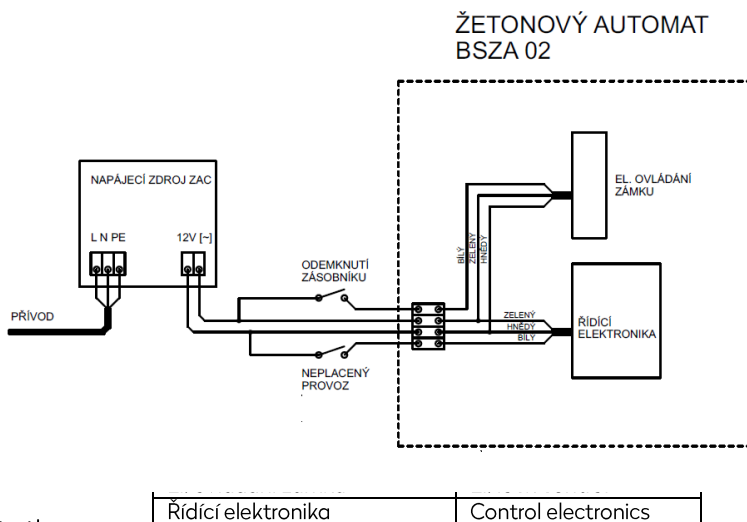
1. The slot machine is delivered unlocked. Only in this state can the support frame be dismantled and the machine installed. If the machine is accidentally locked before or during installation, the 12 V, 50 Hz voltage must be applied according to the diagram below and the magnet must be positioned approximately 3 cm above the control LED - marked "O". This unlocks the lock.
2. Fit the shower machine suspension frame with screws and dowels to a wall.
3. Mount the angle valves (Package contents) with filters (**strainer gasket 3/8"** - Package contents) into the supply tubes with internal threads.
4. Connect the shower machine to the water supply using flexible hoses. If the machine is equipped with a thermostatic valve, the red marked hose must be connected to hot water and the blue marked hose to cold water. In the case of reverse hose connection, the thermostatic valve will not work! Rotate the valve outlets to prevent kinking of the water supply hoses.
5. Caution: Before connecting the hoses, it is necessary to flush the pipes to avoid clogging the strainers upstream the valve with dirt from the pipes.
6. Connect the 12 V 50 Hz supply cable to the connection terminal block.
7. For operation, a permanent supply voltage must be applied to the brown and green wires. The white wire must be connected via a switch. If the operator does not intend to use the option of unpaid operation, the white wire can remain disconnected. The second white wire (for the electrical lock control) must be connected via the switch.
8. Switch on the ZAC power supply (12 V, 50 Hz)
9. Try unlocking the lock. Only after testing it, place the slot machine cover on the mounting frame and fasten it from the bottom by unscrewing the allen screws - so that they fit into the holes in the frame.
10. Check the shower operation and adjust the water flow time and pause time as necessary in non-paid operation according to the chapter



Settings

Time setting

1. Switch the power supply off and on again after approx. 5 seconds - the indicator light flashes red and then lights up green.
 2. Place the magnet approx. 3 cm below the control LED on the machine front panel (marked "N").
 3. When the magnet is removed, the indicator light will flash red and when the magnet is moved away, it will turn orange.
 4. After a time corresponding to the water flow time, the magnet must be moved back to the same position. When the magnet is removed, the indicator light stops lighting orange, flashes 5 times to indicate the setting is stored, and turns green.
 5. The time between the first and the second application of the magnet is the water flow time.
- Caution:** Setting must be started within 20 minutes after switching on. If more than 20 minutes elapses between switching on and the first use of the magnet, the electronics ignore the magnet use and the original setting is retained.



Pause time setting

1. Close the switch for non-paid operation (voltage supply to the white wire).
2. Proceed in exactly the same way as when setting the time.

Control LED states

- **Operating:**
 - green light – under voltage, ready for operation
 - flashing orange - stuck token, slot machine disabled
 - flashing green – the valve is closed
 - alternating red/green - half of the pre-set time has elapsed
 - orange light – (green and red together) – pause
- **Setting:**
 - flashes red - the electronics enters the setting mode
 - orange light - setting the flow time or pause time.

Non-warranty malfunctions and their repairs

Defect	Likely cause	Remedy
The indicator light is off when switched on	Power supply not connected Connection to 230 V	Connect the power supply Destroyed beyond repair
Only a little water is running	Clogged angle valve strainer Clogged arm nozzle	Clean the 90° valve filter Clean the arm
When the token is thrown in - the machine does not start - the indicator light is red	A token stuck in the sensor	Release the token or clean the token track



Electronic device works properly but water is not running	The equipment is connected to a switched power source (e.g. for halogen lights) – the solenoid valves do not work at higher frequencies	Use the specified power source
It is not possible to set the water temperature	The hot & cold water supplies are reversed Stuck check valve at the thermostatic valve inlet	Connect correctly - hot water hose is red marked Clean or replace the check valve
Water still flows even after the power is turned off	Dirt in the valve under the diaphragm	Clean the valve
The machine cannot be unlocked by attaching a magnet	Supply voltage not connected to the white wire	Check the power supply

Maintenance and cleaning

- The device was made from the stainless steel of quality corresponding with ČSN 17 240 (AISI 304) standard and, therefore, it must not be operated in chemically-aggressive environment.
- **Preparations containing chlorine must not be used for its cleaning!!**
- Cleaning agents by WÜRTH are recommended:
 - Metal renewal agent - Order No. 893 121 1
 - Stainless steel spray treatment - Order No. 0893 121 – K.
- If corrosion has already occurred, it can be removed with a cleaner INNOSOFT B 570 from the company Emergo.

Cleaning of the valve

- If the **valve does not close**, contamination has probably built up under the diaphragm and the valve needs to be cleaned.
- Remove the three screws holding the coil. Remove the coil, carefully remove the plastic cap of the core (do not lose the spring). Remove the diaphragm, clean the area below. Check the throughput of both holes in the plastic centre of the diaphragm and reassemble the valve. When reassembling in the fitting (if the valve has been removed from the fitting) it is necessary to observe the direction of water flow through the valve. The valve does not close in the reverse direction. The direction of water flow through the valve is indicated by an arrow at the bottom of the valve.
- **Caution:** The operator must ensure that in no case does the water in the solenoid valve freeze, otherwise it will be irreparably damaged.