



Instructions for installation and use

BSNZ 01 – Safety stainless steel toilet

BASIC TECHNICAL INFORMATION:

Dimensions :	560 x 356 x 340 mm
Weight :	24 kg
Bearing capacity :	150 kg
Min. water flow:	70 l/min
Outlet diameter:	89 mm
Recommended cantilever :	KZ 1
Weblink:	BSNZ 01

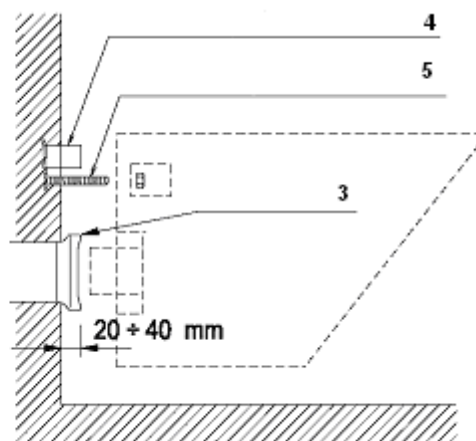
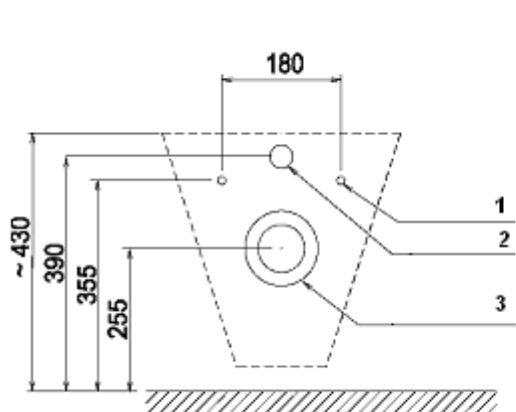
Description and intended use

- BSNZ 01 is a stainless steel suspended water-closet. Connecting measurements are same as for ceramic closets, therefore it is possible to hang it on all types of cantilevers with spacing between anchoring screws 180 mm (bolt thread M12) and spacing between water inlet and outlet 135 mm and between input and anchoring screws 35 mm.
- Dimensions showed on the picture are valid for the spacing of 430 mm in between the upper seat trim and the floor. It is possible to adjust the height of the toilet seat when observing the recommended spacing between inlet, outlet and anchoring screws.

Installation

Setting up construction

1. Wall-in the cantilever KZ or other suitable cantilever, for example with built-in water reservoir. Connecting dimensions as on the picture.
2. Finish tiling



1. anchoring screw M 12
2. flushing pipe
3. outlet – socket with sealing gasket
4. pipe d 34, length 20÷30 mm
5. anchoring srew M12, length 20÷60 mm

Assembly

1. Check the length of all connecting elements – the length must be as shown on the scheme.
2. Put the sealing gasket on the flushing pipe d 34 mm. When using other pipe, use appropriate sealing cap.
3. Lubricate the input and output sealing gaskets with suitable lubricant.
4. Remove the protecting covers of anchoring bolts from both sides of the closet.
5. Put on the stainless steel closet, press it well to the wall and tighten it with M12 nuts.



6. Test the tightness of all connections.
7. Screw back the protecting covers of anchoring bolts.

Complete delivery

- Stainless steel closet 1 pc.
- Rubber sleeve 1 pc.
- Nut M12 including washer 2 pcs.
- Plastic toilet seat 1 pc.

Maintenance and cleaning:

- The device was made from the stainless steel of quality corresponding with ČSN 17 240 (AISI 304) standard and, therefore, it must not be operated in chemically-aggressive environment and
- **Preparations containing chlorine must not be used for its cleaning!!**
- Cleaning agents by WÜRTH are recommended:
 - Metal renewal agent - Order No. 893 121 1
 - Stainless steel spray treatment - Order No. 0893 121 – K.
- If corrosion has already occurred, it can be removed with a cleaner INNOSOFT B 570 from the company Emergo.