



Installation and operating instructions

VLK 03 - stainless steel bucket sink for draining of chemical toilets

BASIC TECHNICAL DATA

Water supply	G 1/2"
Drain - internal diameter	95 mm
Overall dimensions	1250x600x 620
Utility sink internal dimensions	500x500x300
Weight:	45 kg
Weblink	VLK 03

Intended use

- **VLK 03** is a stainless steel bucket sink intended for camps, filling stations and motorway rest areas, where it is used for draining of chemical toilets, caravan waste tanks and other mobile equipment. The stainless utility sink is to be mounted on a wall. The outlet may be connected to a wall or floor drain. The sink includes nozzles for sink flushing.

Installation

Structural preparations

1. Tr 1/2" water supply prepared according to the illustration
2. 110 mm drain prepared

Bucket sink installation

1. Unscrew the 4 crews of the bottom cover and remove the cover by moving it forward
2. Using the screws and wall plugs mount the sink to the wall.
3. Screw the corner valve into the supply pipe with internal threading.

Turn the valve outlet so that the supply hose does not kink.

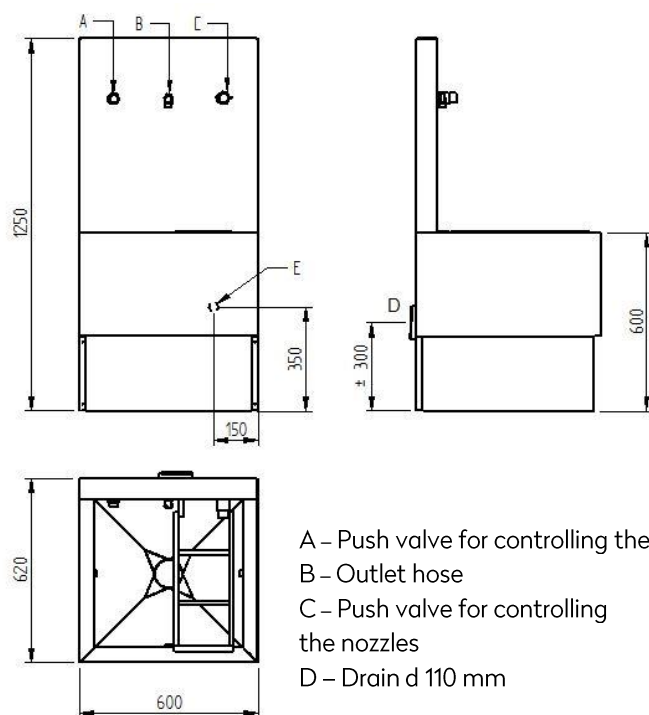
4. Assemble a siphon trap using the supplied elbow pipes and connect it to the waste pipe.
5. Place the bottom cover back in and screw it down.

Complete supply

- Bucket sink with casing and back panel
- corner valve
- small assembly material

Note

- The sink is not intended for all-year operation. Water must be drained from the sink before winter to prevent damage to the valves



- A – Push valve for controlling the hose
B – Outlet hose
C – Push valve for controlling the nozzles
D – Drain d 110 mm



Maintenance and cleaning

- The device was made from the stainless steel of quality corresponding with ČSN 17 240 (AISI 304) standard and, therefore, it must not be operated in chemically-aggressive environment.
- **Preparations containing chlorine must not be used for its cleaning!!**
- Cleaning agents by WÜRTH are recommended:
 - Metal renewal agent - Order No. 893 121 1
 - Stainless steel spray treatment - Order No. 0893 121 – K.
- If corrosion has already occurred, it can be removed with a cleaner INNOSOFT B 570 from the company Emergo.