



Datasheet

AFO 02-II

AFO 02-II is a stainless steel drinking fountain of modern design with a pressure valve and simple control. The water flows for the duration of valve compression and after continues for a set time after release, which flushes the nozzle.

The drinking fountain comprises the anchoring part for concreting in the ground and the column itself with the valve and nozzle. The parts are connected with 3 screws and the upper part can always be removed if necessary (for instance, in winter).

The supply is provided via flexible hose and the siphon is made of a resilient flexible coupling. The flexible design of the water supply and drainage facilitates the variable and problem-free connection of the drinking fountain.

The AFO 02-II stainless steel fountain is suitable mainly for schools, medical facilities and spas and is usable also in the exterior.

The AFO 02-II drinking fountain is made of stainless steel grade AISI 304. The AFO 02.CL-II drinking fountain is made of AISI 316 material - suitable for an environment with a increased chlorine concentration.

We recommend treating stainless steel products with Würth – preservation (Order No 0893 121 K), cleaning (Order No 893 121 1). AFO 02-II



Complete supply

- Stainless steel column and cone with nozzle
- Push valve
- Anchoring structure
- Flexible hose siphon
- Connecting hose
- Fixing material

Type design

- AFO 02-II standalone stainless steel drinking fountain, stainless steel AISI 304
- AFO 02.CL-II standalone stainless steel drinking fountain, stainless steel AISI 316
- AFO 02-II D standalone stainless steel drinking fountain, stainless steel AISI 304 - children's fountain of height 65 cm
- AFO 02.CL-II D standalone stainless steel drinking fountain, stainless steel AISI 316 - children's fountain of height 65 cm

Technical details

- water supply G 1/2"

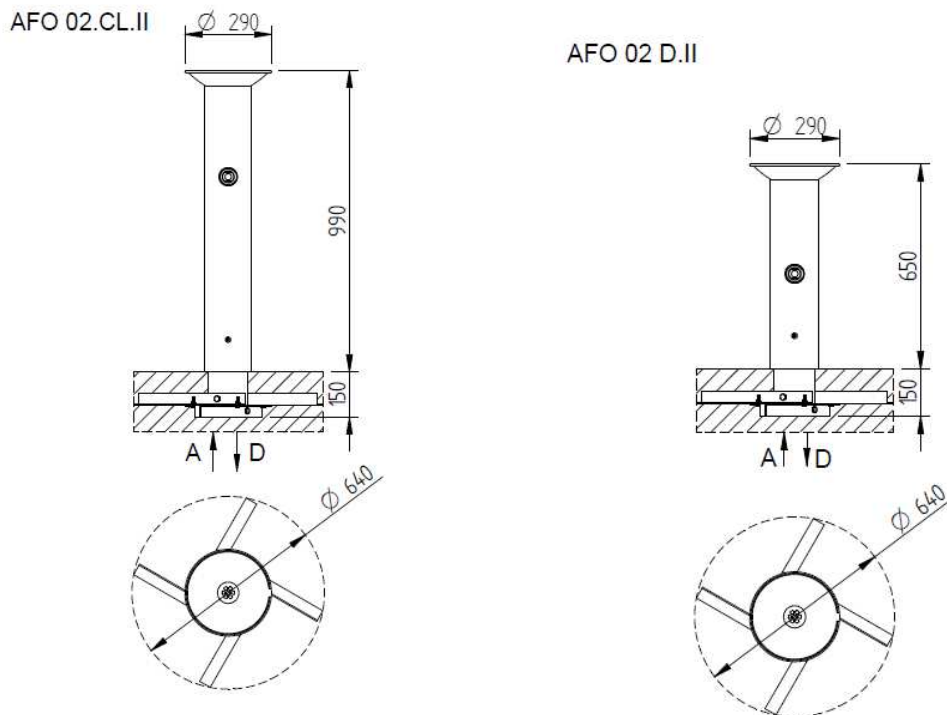


- water pressure 0.2 - 0.6 MPa, recommended pressure 0.3 MPa
- drain d = 40 mm
- sink internal dimensions d = 290 mm
- weight 20 kg

Building readiness requirements

- Ready water supply - G 1/2".
- Ready drain d = 40 mm.
- Prepared niche for fixture (concreting) of the base

Diagram



*K – anchoring structure
A – water supply pipe G 1/2"
D – drain d=40 mm